



## **Seven slides on FEIDE**

CEN/ISSS workshop

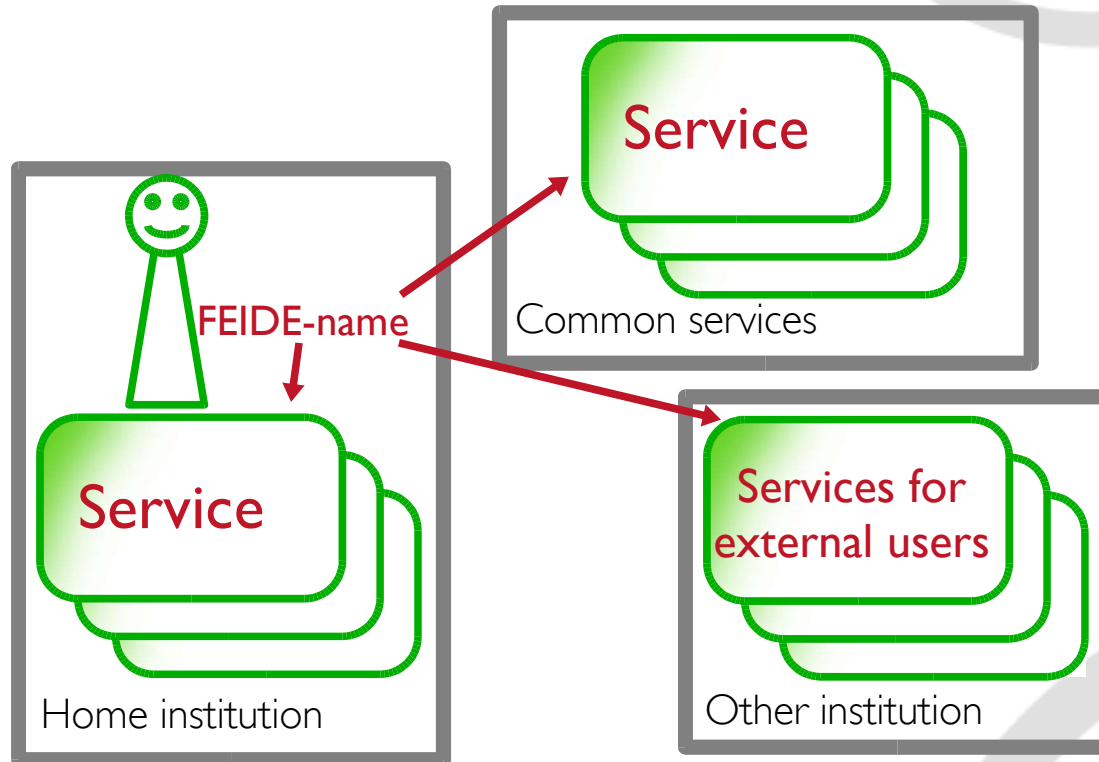
25 January 2005

Jon Strømme, UNINETT FAS

FEIDE coordinator

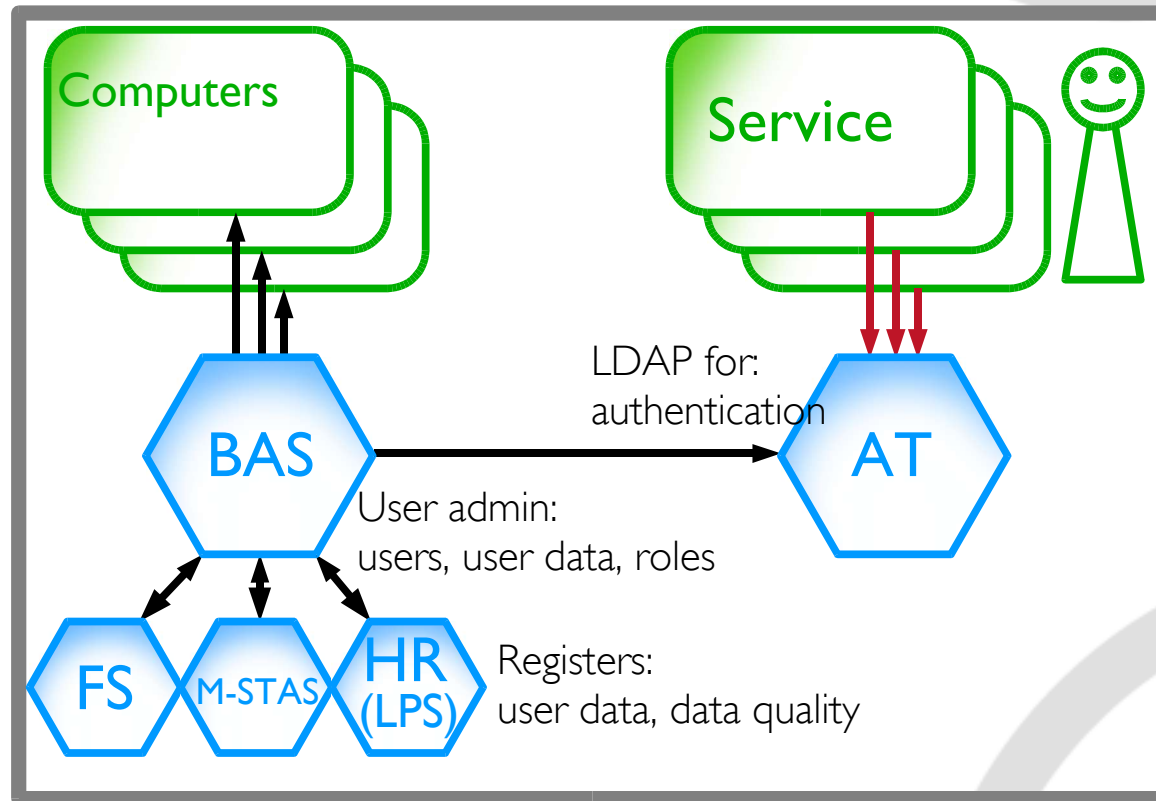


# FEIDE - one id in education

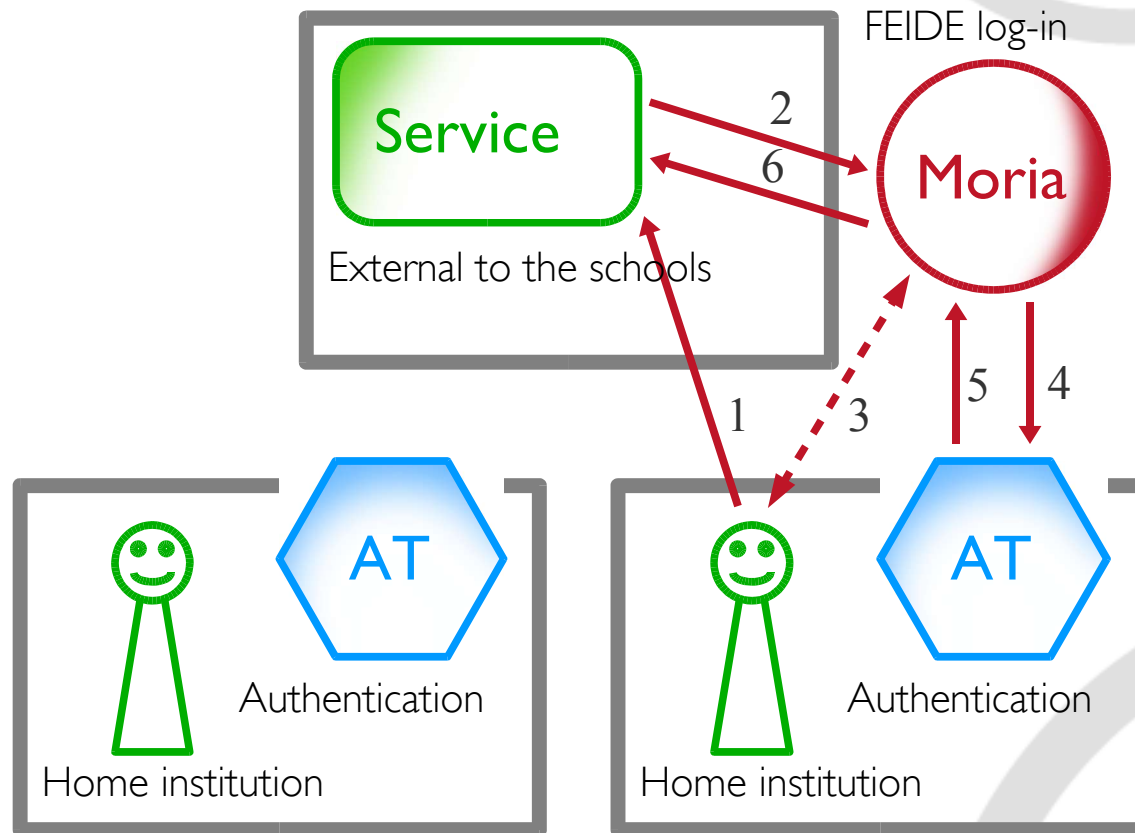


Services reached  
with a single FEIDE  
name

# Setup at one school



# External services



# FEIDE – federated authentication ++

- Authentication
- User data
  - Quality assurance
    - Contract between FEIDE and institution, the data is correct and up to date.
  - Transfer of user data to the service:
    - User says: please give this service these data about me
    - Institution says: This service is ok for our users, it may have this kind of data
    - FEIDE says: This data transfer to this service is generally legal and a decent practice

# What FEIDE can do now

- Authentication with user name and password
- Transfer of user data to service
- 150 000 names issued, 7 services hooked up
- A little actual daily use
- The entire education sector in Norway – first grade primary school to postgraduate.

# What FEIDE can do, end 2005

- Two-level authentication
  - At least SMS password, possibly PKI
- Virtual LDAP catalog
- RADIUS backend
- AD backend
- Kerberos and JSSE interface
- Possibly federation with Shibboleth (authentication only, no user data)
- Possibly federation with Athena (user data? maybe)